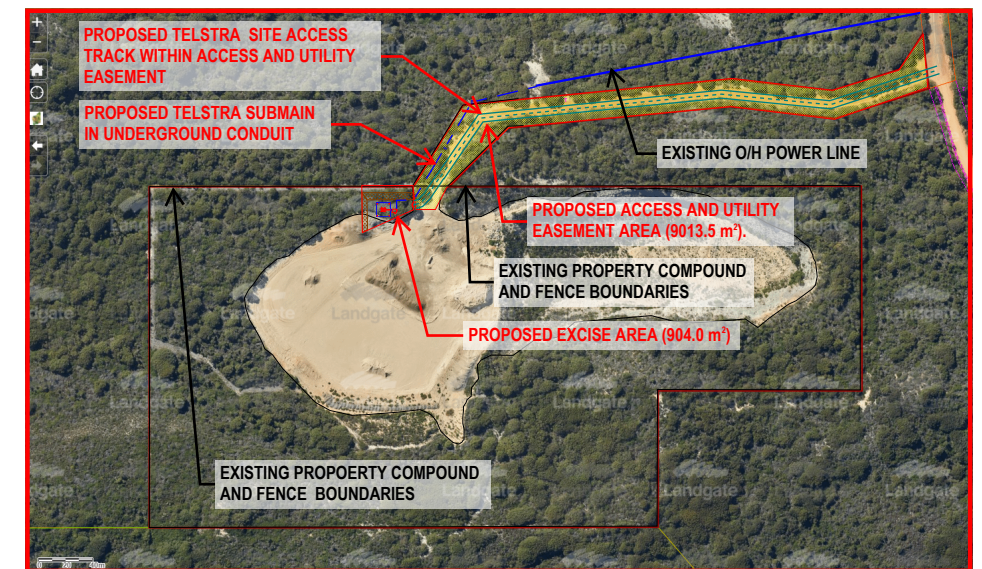


RFNSA SITE No: 6333018



COPYRIGHT © WHEREIS® REGISTERED TRADEMARK OF SENSIS PTY LTD.

**LOCALITY PLAN**  
NOT TO SCALE



**SITE ACCESS**  
NOT TO SCALE

**SERVICES LEGEND**

— E —	— E —	—	ABOVE GROUND ELECTRICAL SUPPLY
— FE —	— FE —	—	ABOVE GROUND FEEDER CABLES
- - - E - - -	- - - E - - -	- - -	BELOW GROUND ELECTRICAL SUPPLY
- - - FE - - -	- - - FE - - -	- - -	BELOW GROUND FEEDER CABLES
- - - T - - -	- - - T - - -	- - -	OPTIC FIBRE BELOW GROUND

**PRELIMINARY**

NOTE: THIS DRAWING TO BE READ IN CONJUNCTION WITH SHEET S1-1

- NOTES:**
1. ALL FEEDER ACCESS POINTS ON THE STRUCTURE MUST BE BIRD PROOFED AS PER EXTERNAL PLANT POLICY 003615.
  2. ALL DIMENSIONS ARE IN MILLIMETRES UNLESS SPECIFIED OTHERWISE.
  3. THIS DRAWING SET IS A PRELIMINARY DRAWING ONLY AND IS ISSUED FOR COMMENT, IT IS NOT A DETAILED SURVEY/ STRUCTURAL DRAWING AND THEREFORE COULD BE SUBJECT TO CHANGE.
  4. FOR EME SIGNS NOTED THUS #X REFER TO 005486 FOR DETAILS.
  5. PROPOSED TELSTRA FOUNDATION AND EMBANKMENT ARE SHOWN INDICATIVE ONLY. FINAL DESIGN IS SUBJECT TO RESULTS OF GEOTECHNICAL INVESTIGATION.
  6. POWER SUBMIAN ROUTE IS NOT FINAL AND SUBJECT TO CHANGE UPON PROPERTY OWNER, TELSTRA AND UTILITIES SERVICE PROVIDER APPROVAL.

**DO NOT SCALE**

**PROPERTY DESCRIPTION**  
LOT 7836 ON DIAGRAM 92456  
VOL. 3106, FOLIO 226  
SHIRE OF DENMARK

SITE STRUCTURE CO-ORDINATES (GDA94) GPS READING ACCURACY: ± 10m CENTRE OF TOWER	
LATITUDE	GDA 94 -35.031391
LONGITUDE	GDA 94 117.324001



ORDER	DRAWN	CHKD	AMENDMENT	EXAM	APPD	DATE	ISS
WA09823.01	NK	IN	PRELIMINARY 30069617WO12SSNC - LTE700/WCDMA850	IN	NH	15.08.19	1
WA09823.01	JL	CT	PRELIMINARY 30069617WO12SSNC - LTE700/WCDMA850	JH	RGW	28.10.20	2

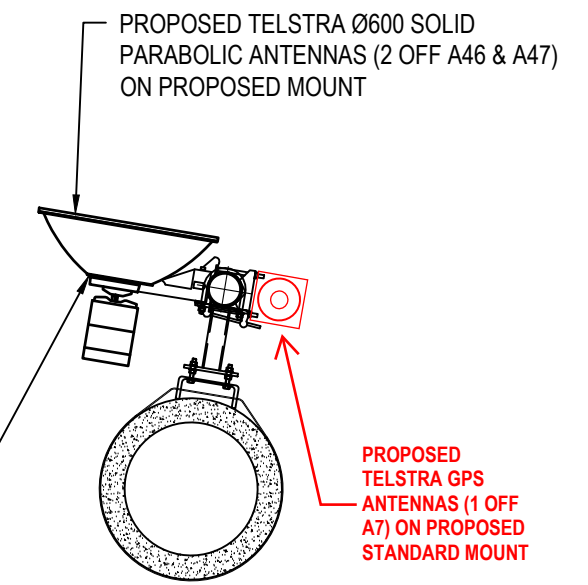
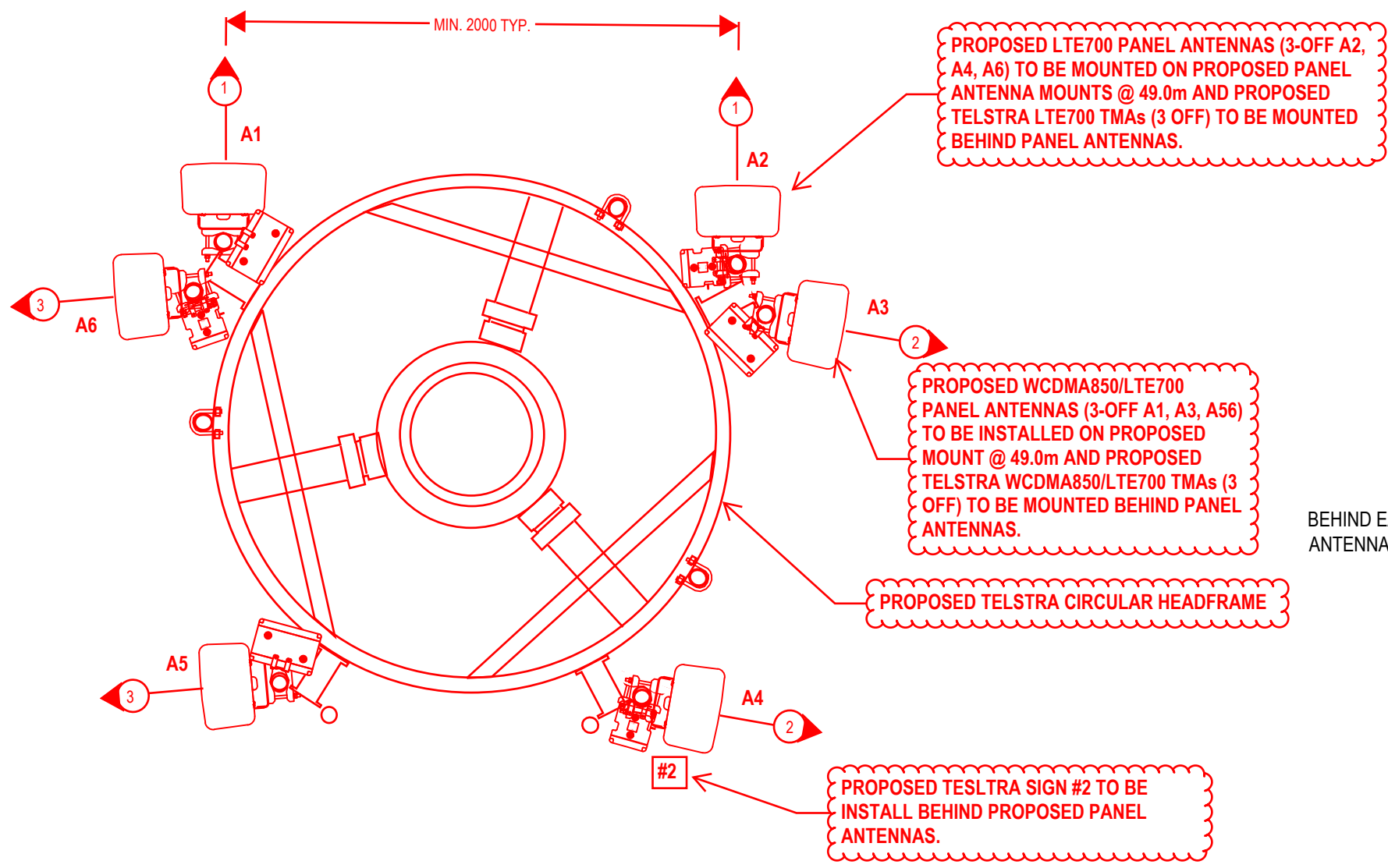
**Telstra**

**MOBILE NETWORK SITE 328500**  
**OCEAN BEACH SOUTH**  
SITE LAYOUT AND ACCESS  
906 OCEAN BEACH RD, OCEAN BEACH, WA 6333

DWG NO. **W109168** SHT NO. S1

**ANTENNA LEGEND**

—(X)— AX PROPOSED TELSTRA PANEL ANTENNA



**PARABOLIC ANTENNA LAYOUT AT EL'S 21.0m & 20.0m**

SCALE 1:25  
500 0 500 1000 SCALE 1:25

**ANTENNA LAYOUT AT EL 49.0m**

SCALE 1:25  
500 0 500 1000 SCALE 1:25

NOTE: THIS DRAWING TO BE READ IN CONJUNCTION WITH SHEET S1

**PRELIMINARY**

- NOTES:**
1. ALL FEEDER ACCESS POINTS ON THE STRUCTURE MUST BE BIRD PROOFED AS PER EXTERNAL PLANT POLICY 003615.
  2. ALL DIMENSIONS ARE IN MILLIMETRES UNLESS SPECIFIED OTHERWISE.
  3. THIS DRAWING SET IS A PRELIMINARY DRAWING ONLY AND IS ISSUED FOR COMMENT, IT IS NOT A DETAILED SURVEY/ STRUCTURAL DRAWING AND THEREFORE COULD BE SUBJECT TO CHANGE.
  4. FOR EME SIGNS NOTED THUS #X REFER TO 005486 FOR DETAILS.
  5. POWER SUBMIAN ROUTE IS NOT FINAL AND SUBJECT TO CHANGE UPON PROPERTY OWNER, TELSTRA AND UTILITIES SERVICE PROVIDER APPROVAL.

**servicestream**  
ESSENTIAL NETWORK SERVICES  
Level 3, 7-9 Tanunda Drive, Rivervale WA 6103  
T +61 8 9355 7500 | F +61 8 9355 5100 | www.servicestream.com.au

ORDER	DRAWN	CHKD	AMENDMENT	EXAM	APPD	DATE	ISS
WA09823.01	NK	IN	PRELIMINARY 30069617WO12SSNC - LTE700/WCDMA850	IN	NH	15.08.19	1
WA09823.01	JL	CT	PRELIMINARY 30069617WO12SSNC - LTE700/WCDMA850	JH	RGW	28.10.20	2

**Telstra**  
MOBILE NETWORK SITE 328500  
OCEAN BEACH SOUTH  
ANTENNA LAYOUT  
906 OCEAN BEACH RD, OCEAN BEACH, WA 6333

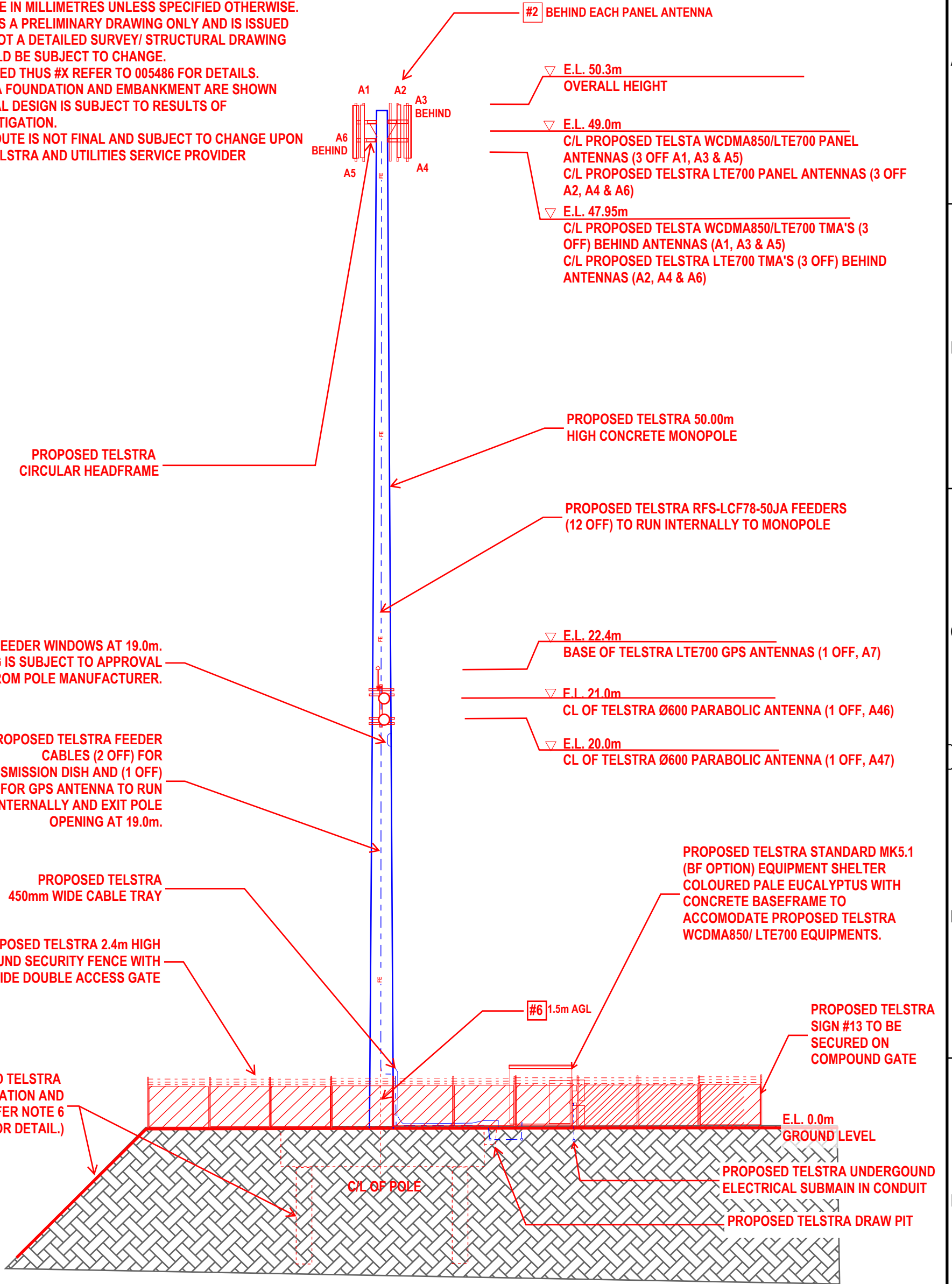
© Telstra Corporation Limited ABN 33 051 775 556 All rights reserved.

DWG NO. **W109168** SHT NO. S1-1

Telstra Networks Wireless program Delivery Template - 017868P02 issue 11.4 XX /XX/2015

**NOTES:**

1. ALL FEEDER ACCESS POINTS ON THE STRUCTURE MUST BE BIRD PROOFED AS PER EXTERNAL PLANT POLICY 003615.
2. ALL DIMENSIONS ARE IN MILLIMETRES UNLESS SPECIFIED OTHERWISE.
3. THIS DRAWING SET IS A PRELIMINARY DRAWING ONLY AND IS ISSUED FOR COMMENT, IT IS NOT A DETAILED SURVEY/ STRUCTURAL DRAWING AND THEREFORE COULD BE SUBJECT TO CHANGE.
4. FOR EME SIGNS NOTED THUS #X REFER TO 005486 FOR DETAILS.
5. PROPOSED TELSTRA FOUNDATION AND EMBANKMENT ARE SHOWN INDICATIVE ONLY. FINAL DESIGN IS SUBJECT TO RESULTS OF GEOTECHNICAL INVESTIGATION.
6. POWER SUBMIAN ROUTE IS NOT FINAL AND SUBJECT TO CHANGE UPON PROPERTY OWNER, TELSTRA AND UTILITIES SERVICE PROVIDER APPROVAL.



**NORTH ELEVATION**

SCALE 1:200  
 2m 0 2m 4m 6m 8m 10m SCALE 1:200

NOTE: THIS DRAWING TO BE READ IN CONJUNCTION WITH SHEET S3-1

**PRELIMINARY**

**servicestream**  
 ESSENTIAL NETWORK SERVICES  
 Level 3, 7-9 Tanunda Drive, Rivervale WA 6103  
 T +61 8 9355 7500 | F +61 8 9355 5100 | www.servicestream.com.au

ORDER	DRAWN	CHKD	AMENDMENT	EXAM	APPD	DATE	ISS
WA09823.01	NK	IN	PRELIMINARY 30069617W012SSNC - LTE700/WCDMA850	IN	NH	15.08.19	1
WA09823.01	JL	CT	PRELIMINARY 30069617W012SSNC - LTE700/WCDMA850	JH	RGW	28.10.20	2

**MOBILE NETWORK SITE 328500**  
**OCEAN BEACH SOUTH**  
 NORTH ELEVATION  
 906 OCEAN BEACH RD, OCEAN BEACH, WA 6333

DWG NO. **W109168** SHT NO. S3

Telstra Networks Wireless program Delivery Template - 017666P02 issue 11.4 XX/XX/2015

DO NOT SCALE

## TELSTRA MOBILES ANTENNA CONFIGURATION TABLE

ANTENNA No	ANTENNA TYPE & SIZE H x W x D	ANTENNA ACTION REQUIRED	ANTENNA HEIGHT C/L A.G.L.	PHYSICAL ANTENNA BEARING (°T)	SECTOR NO. & TECHNOLOGY
A1	ARGUS RVVPX310.11B-T2 PANEL 2533 x 350 x 208mm	INSTALL	49.0m	0°	S1: WCDMA850 / LTE700
					S1: WCDMA850 / LTE700
					SPARE
					SPARE
A2	ARGUS RVVPX310.11B-T2 PANEL 2533 x 350 x 208mm	INSTALL	49.0m	0°	S1: LTE700
					S1: LTE700
					SPARE
					SPARE
A3	ARGUS RVVPX310.11B-T2 PANEL 2533 x 350 x 208mm	INSTALL	49.0m	100°	S2: WCDMA850 / LTE700
					S2: WCDMA850 / LTE700
					SPARE
					SPARE
A4	ARGUS RVVPX310.11B-T2 PANEL 2533 x 350 x 208mm	INSTALL	49.0m	100°	S2: LTE700
					S2: LTE700
					SPARE
					SPARE
A5	ARGUS RVVPX310.11B-T2 PANEL 2533 x 350 x 208mm	INSTALL	49.0m	265°	S3: WCDMA850 / LTE700
					S3: WCDMA850 / LTE700
					SPARE
					SPARE
A6	ARGUS RVVPX310.11B-T2 PANEL 2533 x 350 x 208mm	INSTALL	49.0m	265°	S3: LTE700
					S3: LTE700
					SPARE
					SPARE
A7	ERICSSON GPS KRE 101 2082/1 OMNI Ø68 x 96mm	INSTALL	BASE OF <b>22.4m</b>	0°	-

## TELSTRA MOBILES ANTENNA CONFIGURATION TABLE

ANTENNA No	ANTENNA TYPE & SIZE H x W x D	ANTENNA ACTION REQUIRED	ANTENNA HEIGHT C/L A.G.L.	PHYSICAL ANTENNA BEARING (°T)	SECTOR NO. & TECHNOLOGY
A46	RFS SCX2-W100BSIA1 PARABOLIC DISH (Ø600mm)	INSTALL	21.0m	9.5°	TRANSMISSION TO DENMARK
A47	RFS SCX2-W100BSIA1 PARABOLIC DISH (Ø600mm)	INSTALL	20.0m	9.5°	TRANSMISSION TO DENMARK

NOTE: THIS DRAWING TO BE READ IN CONJUNCTION WITH SHEET S3

**PRELIMINARY**

DO NOT SCALE

F



ORDER	DRAWN	CHKD	AMENDMENT	EXAM	APPD	DATE	ISS
WA09823.01	NK	IN	PRELIMINARY - 30069617W0012SSNC - WCDMA850 / LTE700	IN	NH	15.08.19	1
WA09823.01	JL	CT	PRELIMINARY 30069617W012SSNC - LTE700/WCDMA850	JH	RGW	28.10.20	2



**MOBILE NETWORK SITE 328500**  
**OCEAN BEACH SOUTH**  
 ANTENNA CONFIGURATION TABLE  
 906 OCEAN BEACH RD, OCEAN BEACH, WA 6333

DWG NO. **W109168** SHT NO. S3-1

© Telstra Corporation Limited ABN 33 051 775 556 All rights reserved.

Cad file: W109168.dwg